

Passive Components for Communications Networks Power Splitters 2/3/4 Way — High Performance

Notable Product Features

- High Performance from 600–4200MHz, PIM₃ ≤ -161dBc
- Designed for indoor/outdoor deployments
- Outstanding performance and reliability



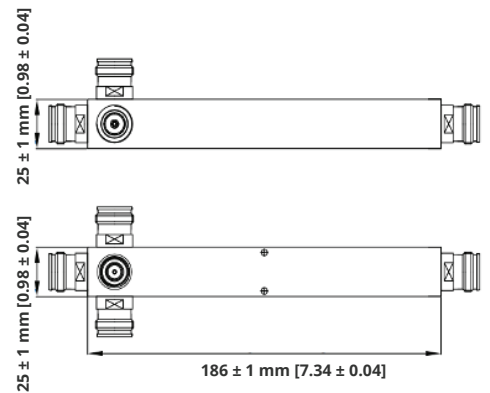
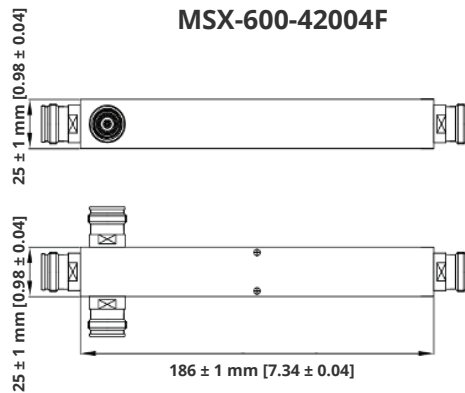
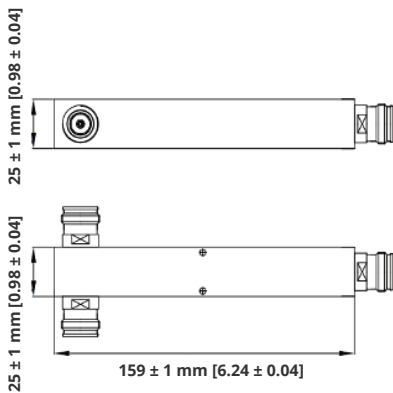
Electrical Specifications				
Part#	4.3/10 Female Conn N-Female Conn	MS2-600-42004F MS2-600-4200NF	MS3-600-42004F MS3-600-4200NF	MS4-600-42004F MS4-600-4200NF
Frequency Range (MHz)	600–4200MHz			
For Connecting Antennas	Two Way	Three Way	Four Way	
Split Loss (dB)	3	4.8	6	
Insertion Loss (dB)	≤ 0.3	≤ 0.4	≤ 0.5	
VSWR @ Input port	1.25:1			
PIM3 (dBc)	≤ -161@2x43dBm			
Input Power (W)	200			
Peak Power (W)	1000			
Impedance (ohms)	50			

Mechanical Specifications			
Dimensions HxWxD (mm/inch) (exclude conn)	159x25x25/ 6.3x0.98x0.98	187x25x25/ 7.36x0.98x0.98	187x25x25/ 7.36x0.98x0.98
Weight (kg/lb) (includes conn, mount)	0.33/0.727	0.38/0.837	0.5/1.102
Coupling Nut Proof Torque	≤ 4.5N.m		
Color	Black		
Mounting	Wall Mounted		

Environmental Specifications	
Operational Temperature (°C)	-35 to +85
Operational Humidity (%)	≤ 95
Ingress Protection Class	IP65
Application	Indoor and Outdoor
RoHS	Compliant

Drawing reference

MSX-600-42004F



MSX-600-4200NF

